

7,700 LBS. CAPACITY (3493kg)



AT077

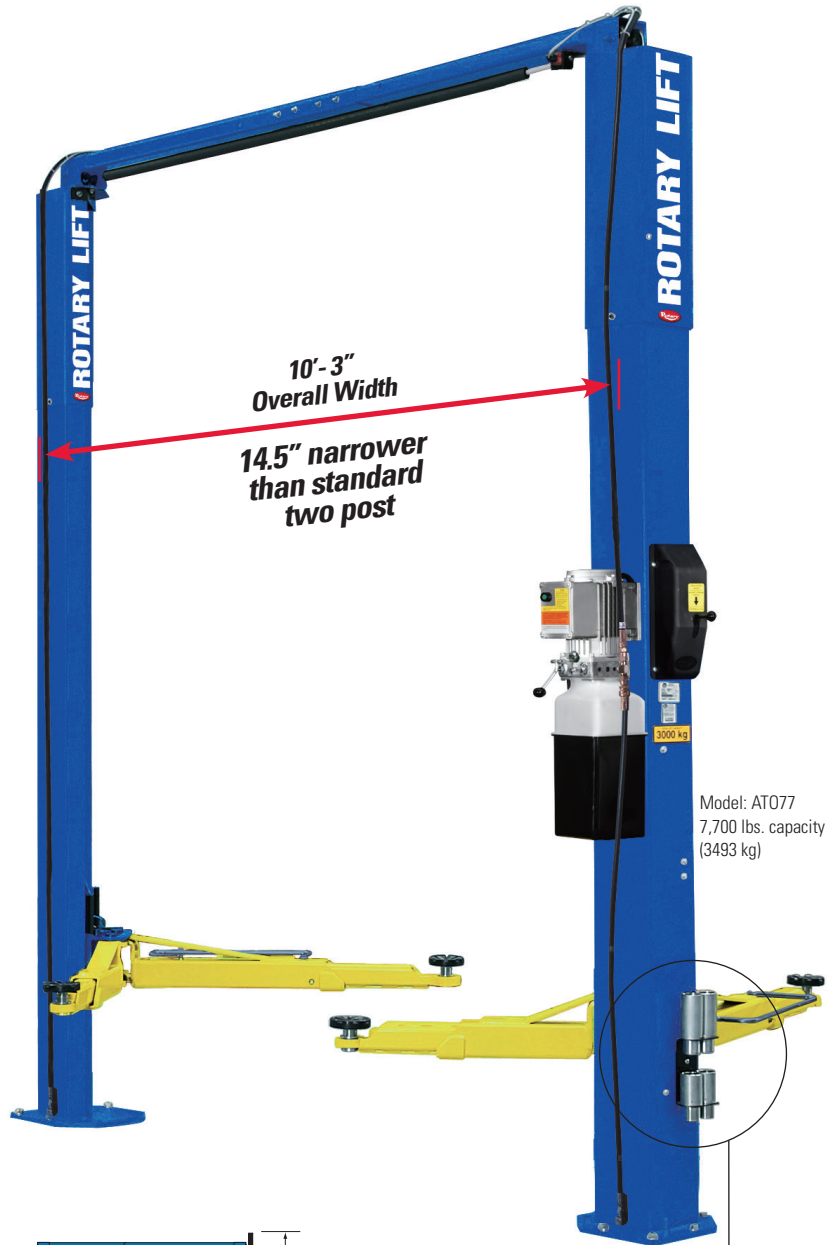
SPACE SAVER TWO-POST LIFT

Performance and Productivity

Rotary's AT077 2-Post lift offers maximum drive-through clearance with minimum external dimensions. The asymmetrical design of the posts and supporting arms also provides a spacious pick-up area, allowing the lift to be entered from either side.



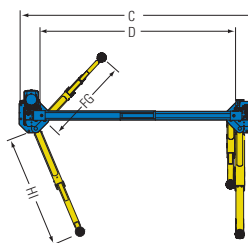
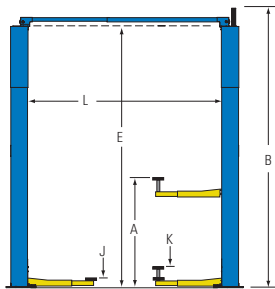
Asymmetric design allows for open door clearance.



Model: AT077
7,700 lbs. capacity
(3493 kg)

Specifications

Model:	AT077
A. Rise	73-7/8" (1877 mm)
B. Height Overall	11' 8-1/2" (3569 mm)
C. Width Overall (outside of base plate)	10' 2-7/8" (3120 mm)
D. Drive-Thru Clearance	92" (2336 mm)
E. Floor To Overhead Switch	134-3/8" (3414 mm)
F. Reach (front arm min.)	21-5/8" (550 mm)
G. Reach (front arm max.)	43-1/2" (1105 mm)
H. Reach (rear arm min.)	34-1/2" (877 mm)
I. Reach (rear arm max.)	58" (1473 mm)
J. Min. Adapter Height	3-5/8" (92 mm)
K. Max Adapter Height	5-7/8" (149 mm)
L. Inside Columns	100-3/4" (2560 mm)
Capacity	7700 lbs (3493 kg)
Motor	2HP
Voltage	1PH/60HZ/208-230V 3PH/50-60HZ/380-460V
Time of Full Rise	45 seconds (1 PH)
Ceiling Height Required	12' (3660 mm)
Stackable adapters	90mm
Stackable adapters	130mm



Rotary Lift Asia
No 1388 Xiushan Road, Haimen,
Jiangsu Province, China
www.vsg-asia.com

Contact Information

AU/NZ/SEA vnathan@vsgdover.com
India ggarad@dovercorp.com
East Asia david.zhang@rotaryliftasia.com

FIND US ON



©2019 VEHICLE SERVICE GROUP™. All Rights Reserved.
Unless otherwise indicated, ROTARY LIFT, VEHICLE SERVICE GROUP™, DOVER and all other trademarks are property of Dover Corporation and its affiliates.